

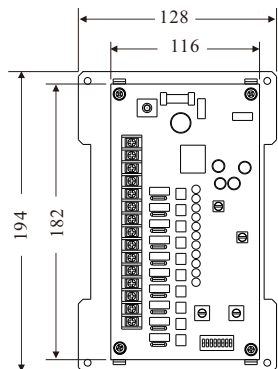
AE71□A Sequential Controller for Dust Collector System Operation Manual

Application

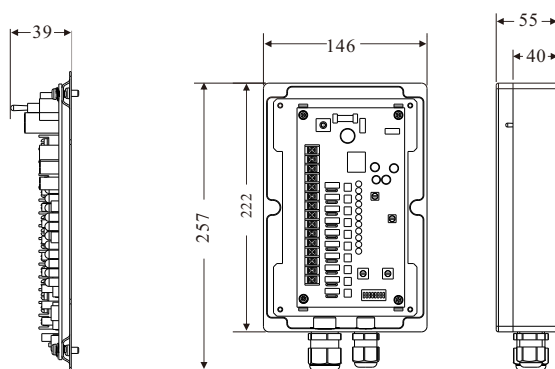
Sequential Controller is applied to control solenoid valve. Pulse time, pulse interval time, numbers of controlled solenoid valve are adjustable. Remote control is available, easily operated.

Dimension

AE710A



AE711A



Specifications

- Power supply: 100~240Vac +/- 10%, 50/60Hz
- Operation temperature: -20°C~70°C
- Ambient temperature: -25°C~75°C
- Numbers of sequential control: 1~10 points
- Pulse time adjustable range: 20ms~2 sec
- Pulse interval time adjustable range: 2~60 sec
- Output: Thyristor
- Output capacity: AC 240V / 4A
- Case material: ABS V2

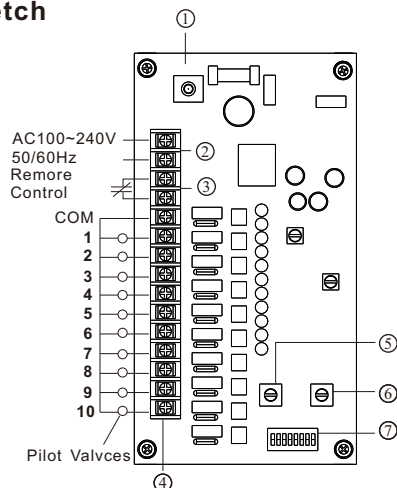
Terminals

- ① Power on/off ◦
- ② Power supply terminal: L1、L2 ◦
- ③ Remote control : If remote control is not required ◦ please do not take off the short-circuit chips on P1、P2 ◦
- ④ Output terminals: Terminals 1~10 are connected with solenoid valves. COM is common contact of solenoid valves.

Pulse Interval Time

Adjust ⑤ for pulse interval time settings ◦ (2~60 sec)

Sketch



Pulse Time

Adjust ⑥ MSEC for pulse time settings ◦ (20 ~200ms)

Cleaning Cycles Setting

Adjust ⑦ for cleaning cycles. When switch 1 is ON, other switches remain OFF, which means cleaning cycles for solenoid valves 1~2. When switch 2 is ON, other switches remain OFF, which means cleaning cycles for solenoid valves 1~3. (Cleaning cycles for 1~10 solenoid valves, all switches are OFF.)

NO. of sequence & STEP Switch Reference table									
Cleaning cycles	2	3	4	5	6	7	8	9	10
Switch									

※ The product can be operated after the above wiring and settings are finished ◦

Trouble Shooting

Symptom	Cause	Solution
Power supply /light off	No power supply	Check power supply
	Fuse blown	Change fuse
No activation	P1、P2 short-circuit chips are missing, or bad contact	Check P1、P2 short-circuit chips
Cleaning cycles do not work	Wrong settings	Check cleaning cycles setting

Coding

AE71□A	
Control output	10 Points of Sequential Controls, Thyristor Output
Carton	0:Not Available 1:Case Available, Dimensio222(H)x146(W)x55(L)mm
Specification	100~240Vac, 50/60Hz, Analog Type of Sequential Controller

Example: AE710A

Specification: 100~240Vac, 50/60Hz, Analog Type

Aplus Fine
http://www.aplusfine.com

Aplus Finetek Sensor, Inc.

California, U.S.
355 S. Lemon Ave, Suite D, Walnut, CA 91789; Tel : 1 909 598 2488
Illinois, U.S.
1741 Industrial Drive, Unit #3, Sterling, IL 61081; Tel : 815-632-3132
Email: info@aplusfine.com