

SRS SAFETY CABLE PULL SWITCH OPERATION MANUAL

1. CONSTRUCTION

The operating lever ① is locked at the position that it is inclined 30° from a vertical position by pulling the pull cord. In this time, the operation-indicating plate changes over to the vertical position.

In case of resetting, operating lever is returned to vertical position when depressing resetting lever, and the operation-indicating plate is set to the horizontal position. There are two microswitches.

The cams are set so as to act the microswitches at the position where the incline of the operating lever reaches at 20°.

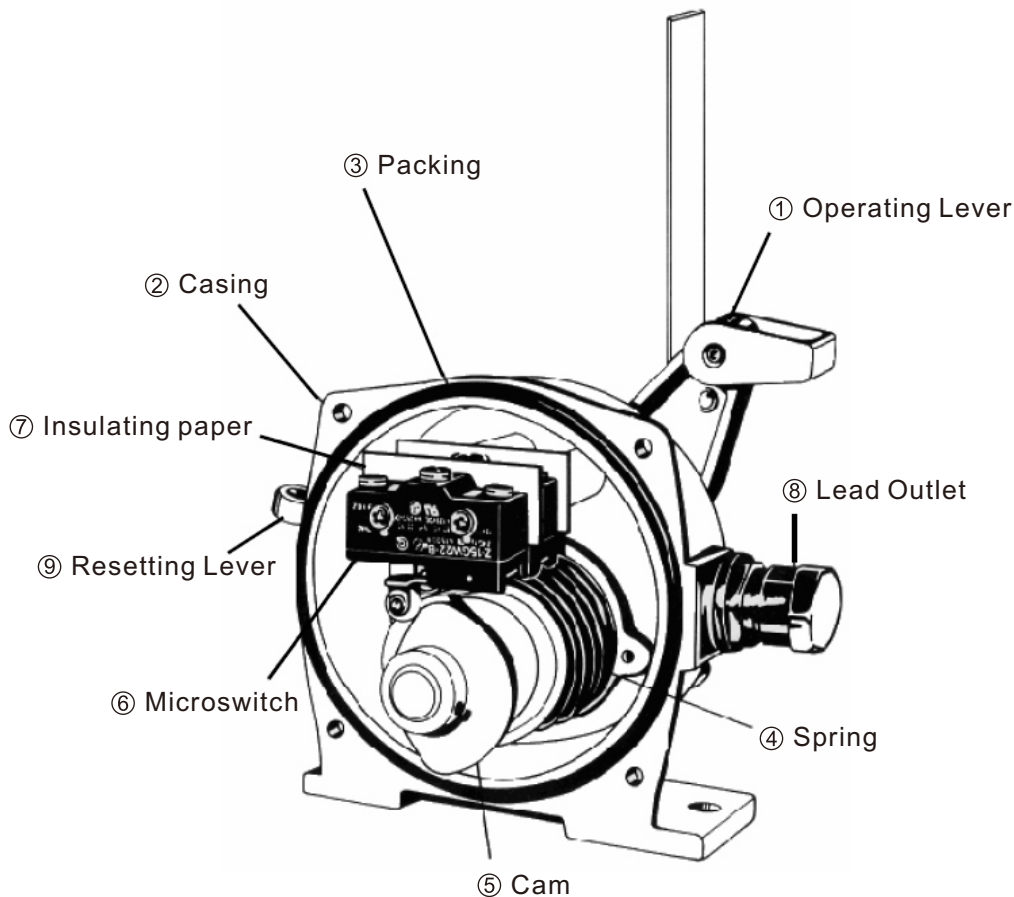


Fig.1 Construction

2. ENVIRONMENTAL CONDITIONS

The Pull Cord Switches should be used in the following environmental conditions; specially made products should be used at the allowable conditions noted in the approved drawing or the final drawing.

2-1 Temperature: -20°C~+60°C

Do not use the Pull Cord Switch in the place where there is danger of freezing.

2-2 Humidity 20~80%

2-3 Dust

If much dust adheres to the operating lever of the Pull Cord Switch and it solidifies, the switch will not move normally. To prevent dust from adhering to the operating lever, it should be cleaned at regular intervals.

2-4 Explosive and Corrosive Environment

The standard Pull Cord Switch should never be used under these conditions.

3. INSTALLATION

3-1 Fitting bolts

The fitting bolts should be prepared before installation, and should be fitted into the mounting holes according to their length.

3-2 Mounting Base

Make the mounting base by referring to Fig.3 and the outline drawing, before installation.

3-3 Pulling Cord

The best pulling cord is a 5 mm in diameter wire or nylon rope, and it should be prepared with wire clips before installation.

3-4 Support of Pulling Cord

When using 50 m cable, every 3 m should be mounted with a supporting part. When using 100 m cable, every 1 m should be mounted with a supporting part.

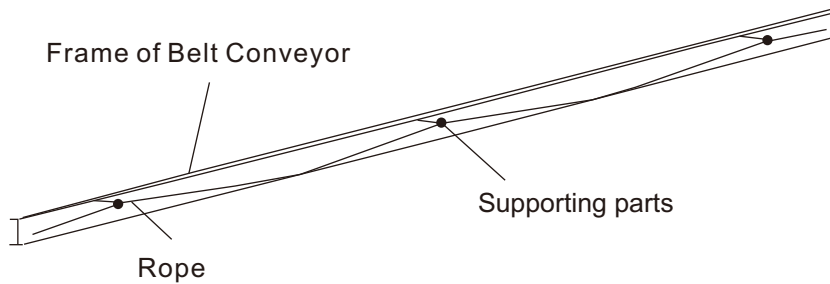


Fig.2 Installation of Supporting Parts

3-5 Example of Installation

When mounting, refer Fig.3.

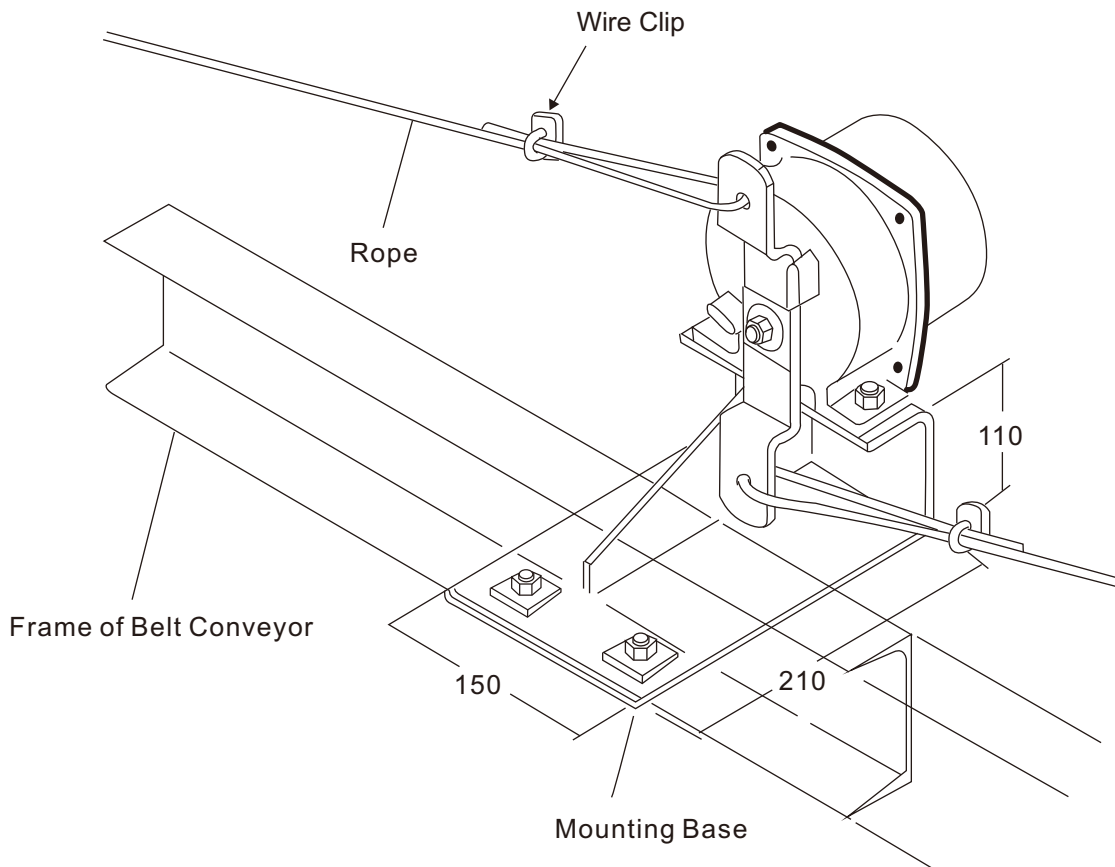


Fig.3 Typical Installation of Pull Cord Switch

4. WIRING

4-1 Cable

When wiring, please use cable which wxternal diameter is 6~12 mm.

4-2 Connection

The Pull Cord Switch has two microswitches.

Connect wire leads to terminals according to your use.

5 ADJUSTMENT

Since the microswitches are adjusted at our factory, there is no need to readjust them when installing.

If it is necessary to readjust, adjust the cam by loosening the set screw.

6 MAINTENANCE

6-1 Periodic Inspection

(1) Cleaning

Always clean when an excessive amount of dust accumulates on the operating lever.

(2) Confirmation of Action

Check to see if the Pull Cord Switch is working normally by testing the pull cord.

Operate Resetting lever to see if it works normally.

6-2 Lubrication

The Pull Cord Switch has no need to lubricate.

6-3 Tightening of cover

When taking off the cover of Pull Cord Switch for the sake of wiring, adjusting and checking, secure the screws of the cover after working, or the Pull Cord Switch may cause problems due to water and dust entering from between the cover and casing.