



1741 Industrial Drive Unit #3, Sterling, IL, 61081

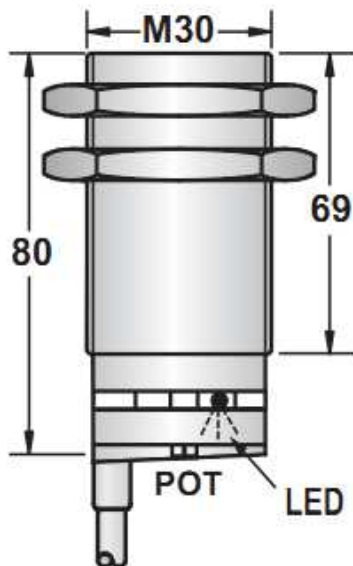
Ph: 815-632-3132 Fax: 815-716-8464

Email: info@aplusfine.com

www.aplusfine.com

PSC30 SERIES - PART# PS30-CCP1-3020A-A2L2

Units: mm



Aplus Fine
Aplus Finetek Sensor, Inc.

PS30-CCP1-3020A-A2L2 CE SF US

CAPACITIVE AC-N.O. 062016
Sn=20mm 20-250VAC China
www.aplusfine.com

SPECIFICATIONS

Type	M30
Operating Voltage	20-250VAC
Sensing Distance	2-20mm adjustable (Shielded)
Ripple	-
No load current	<2.5mA
Max. load current	300mA
Leakge Current	<2.5mA
Surge Current	5A
Min.Load Current	5mA
Output Mode	N.O.
Voltage Drop	<9VAC AT 300MA
Switching Frequency	25HZ
Response Time	10ms
Switching Hysteresis	≤15% (Sr)
Repeat Accuracy	≤5% (Sr)
Protection Category	IP67
Operating Temperature	-25°C - +70°C
Short Circuit Protection	NO
Overload Trip point	-
Time Delay Before Availability	-
Output Indicator LED	present(N.O.)
EMC	RFI>3V/m EFT>1KV ESD>4KV(contact)
Shock/Vibration	IEC 60947-5-2,part7.4.1 IEC 60947-5-2,part7.4.2
Housing Material	PBT(BLACK)
External Sheath	GREY
Outer Jacket Material	PVC
Cable Length	2M
Cable Or Plug	Cable:OD5.8mm ID: 0.1*42*2C(22AWG)

CUSTOMER	APPROVED BY	CONFIRMED BY	3RD ANGLE PROJECTION		
			Engineer: 22	Inspector: 17	
			Manager: Steven C.	Date:16/01/2015	
Rev.	Description	By	Date	Do Not Scale This Drawing	

Aplus Finetek Sensor, Inc.	
Part #:PS30-CCP1-3020A-A2L2	
Description: M30 SIZE, 20-250VAC, N.O , CAPACITIVE PROXIMITY SWITCH, PLASTIC HOUSING, 70C MAX OPER TEMP	
Drawing No.	REV A
Sheet 1	Of 1