

SCX6 Vibrating Rod Level Switch



INTRODUCTION

Piezoelectric elements are used to drive and signal feedback which resonates with the vibrating rod. If a material touches the probe, the vibration intensity and frequency will change due to the damping effect caused when the measured object is covering the probe. A relay contact output switching signal is sent.

FEATURES

- Suitable for materials with low specific gravity; it can be as low as 0.04g/cm³.
- High vibration intensity to reduce the pile-up of materials on the vibrating rod.
- No calibration required, easy to use, and durable.
- High and low-level failure protection; safe and reliable.
- Power supply: for AC input range – 100~240Vac 50/60; for DC input range – 18~30 Vdc input.

SCOPE OF APPLICATION

Level control in cement factories, food industries, flour mills, coal mines, and pharmaceutical factories, among others.

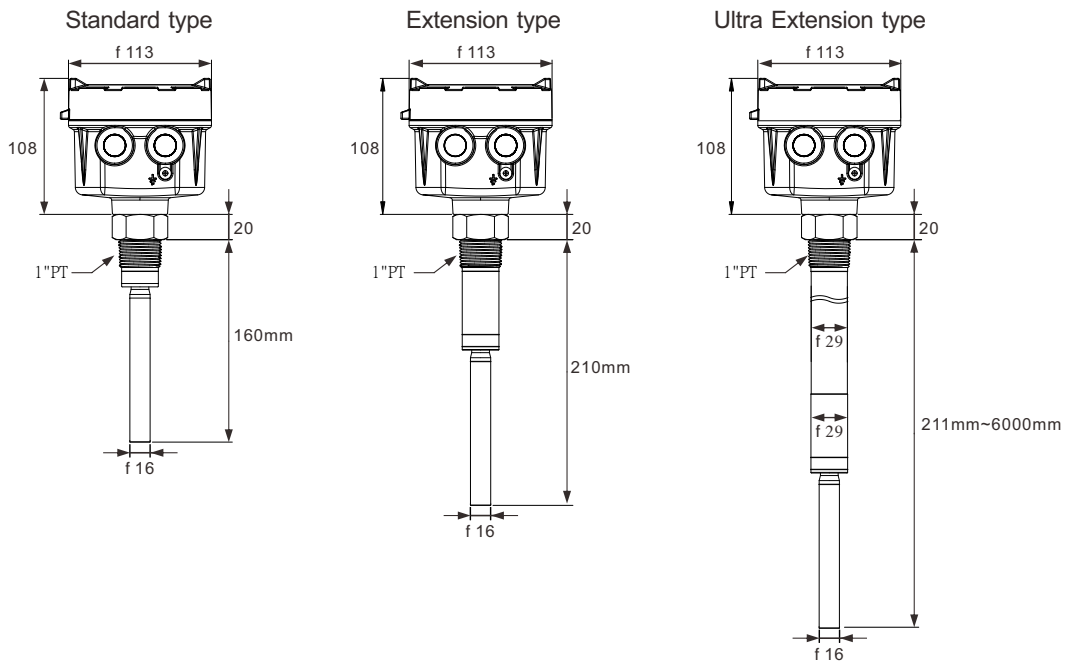


SPECIFICATIONS

Model	Standard type	Extension type	Ultra Extension type
Operating voltage	100~240VAC · 50/60 Hz 18~30VDC		
Power consumption	10 VA@100~240VAC Input 2W@18~30VDC Input		
Vibration frequency	About 330~360Hz		
Min. material density sensed	0.04 g/cm ³		
Selectable density	H / L		
Selectable Fail-safe	FSH / FSL		
Operating temperature	-40~150°C		
Ambient temperature	-40~85 °C		
Operating pressure	16 BAR		
Signal output	Relay*2 (SPDT · 5A / 240 VAC;A / 28Vdc)		
Level sensor housing	Aluminum / IP65		
Wetted materials	SUS304 / SUS316 / SUS316L		
Standard connection	1"PT		
Probe length	160 mm	210 mm	211mm~6000mm
Display	Green LED light: power indicator Red LED light: action indicator		

DIMENSIONS

(Unit:mm)



ORDER INSTRUCTIONS

SCX 6 0 0 0 0 - ⁰⁹ AA ¹² ¹³ ¹⁴ ¹⁵ ¹⁶ ¹⁷ ¹⁸ ¹⁹ ²⁰ 0 0 ²³ ²⁴ ²⁵ ²⁶

⁰⁹ Construction

A: Standard type B: Extension type C: Ultra Extension type

¹² Power supply

C: 100~240Vac,50/60Hz ; Relay SPDT*2 ; Euro Terminal
D: 18~30Vdc ; Relay SPDT*2 ; Euro Terminal

Connection

¹³ ¹⁴

AA: JIS
AB: ISO
AC: ANSI/ASTM
AI: 3A
AJ: JIS-RF
AN: ANSI-RF

¹⁵ ¹⁶

A8: 1"
A9: 1-1/4"
B1: 1-1/2"
B2: 2"
B4: 2-1/2"
B5: 3"

¹⁷ ¹⁸

01: PT male
03: PF male
40: 5kg cm²
42: 10kg cm²
48: 150Lbs
57: PN10

¹⁹ ²⁰ Probe material

MA: SUS304 MB: SUS316 MC: SUS316L

²³ ²⁴ ²⁵ ²⁶ Probe length

Code	Probe length
0160	160mm(Standard type)
0210	210mm(Extension type)
0211~6000	211mm~6000mm(Ultra Extension type)



No.16, Tzuchiang St., Tucheng, District New Taipei City, Taiwan.
TEL: 886 2 2269 6789 | FAX: 886 2 22686682 | <http://www.fine-tek.com>
Email: info.tp@fine-tek.com

